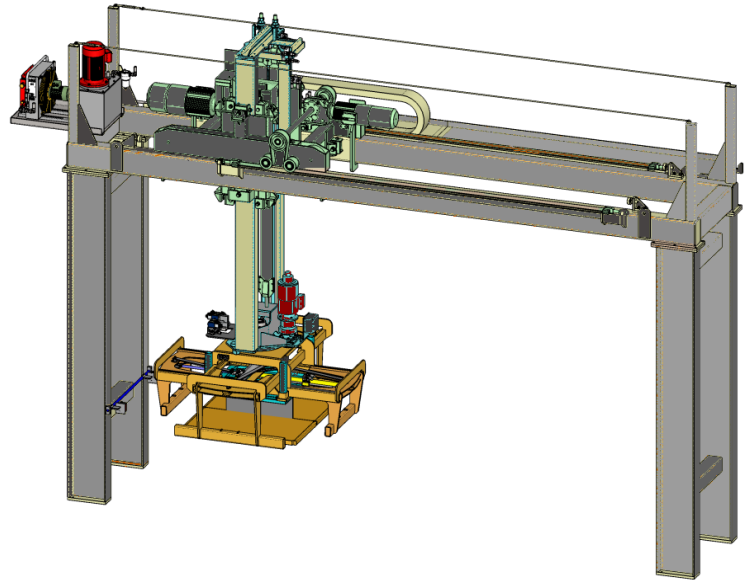


TRANSVERSAL GANTRY-TYPE PALLETIZER PT6

Transversal gantry-type palletizer PT6 to package blocks, pavers, kerb stones...and prepare them to storage and transportation.

Rotation at 360° powered by electric motor . Lifting, rotation and travel movements controlled by Closed Loop Motion. 4 sides clamp holding.



TECHNICAL DETAILS:

- Load capacity: 600 kg
- 4 sides palletization
- Maximum height of palletization: 1500 mm
- Clamp rotation from 0° to 360°
- Multiples palletizing programs according each precast concrete piece.
- Possibility of memorizing and saving the chosen configuration.
- Travel, lifting and rotation movements controlled by Closed Loop Motion.
- Electronic adjustment of the clamping pressure.
- PLC and HMI control.
- 215 palletizing cycles/ hour



NEW FEATURES

- ✓ Clamp rotation from 0° to 360°
- ✓ Higher cycle speed

Industria 5-9
08592 Sant Martí de Centelles, ESPAÑA
Tel. 93 844 01 25
contact@prensoland.com
www.prensoland.com


Prensoland
living precast